

CIVIL & LIGHTING FOUNDATIONS



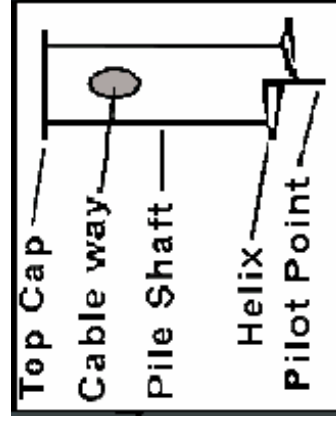
Our street light bases are custom constructed to meet individual needs. Cap thickness and size, slot or hole size, cable-way position and size, shaft size and length, and helix diameter are all variables in the street light base design. The street light bases are designed for resistance to bending moments, shearing forces, uplift loads and bearing loads.

Street Light & Traffic Light Bases

Our street light bases are custom constructed to meet individual needs. Cap thickness and size, slot or hole size, cable-way position and size, shaft size and length, and helix diameter are all variables in the street light base design. The street light bases are designed for resistance to bending moments, shearing forces, uplift loads and bearing loads.

They have many advantages over concrete pilings, including: quick installation reducing traffic disruption, installation in most any type of weather, little to no ground disturbance making clean up easy, no spoils to remove, and one stop installation - pole can be set on immediately after install. The pile can be easily removed and reused, allowing quick and easy relocation of standards. To increase product life expectancy the base is often hot-dipped galvanized for extra protection. The environmentally friendly installation is vibration free and quiet, allowing placement in sensitive areas.

APPLICATIONS	ADVANTAGES
Residential Lighting	Environmentally Friendly Installation
Parking Lot Lighting	Used Immediately After Install
Street and Highway Lighting	Placement in Sensitive Areas
One or Two Mast Arms	No Ground Disturbance
Street Signage	One Stop Installation
Building Signage	Easily Removed and Reused
Column Supports	No Spoils To Remove
Bumper Posts	No Cement or Curing
Flag Poles	Quick Installation



Typical applications include: light poles for residential lighting, parking lots, street and highway lighting, one or two mast arms, street signage, flag poles, building signage, bumper posts and column supports, Oil & Gas Pipelines, Power Communications Utilities, Civil & Commercial Lighting Foundations.

Helical Piers

Helical Pier Systems provides screw piles, underpinning piers and brackets to our contractors across the country. We have been involved in creating innovative solutions to foundation and construction problems on a diverse range of projects. In many cases, substantial benefits are gained with helical screw piles compared to traditional piling methods. These benefits include the speed of installation, no vibration or hammer noise, unlimited pile length and segmented piles for limited headroom. Common construction equipment can be adapted to install helical piers. The system is environmentally friendly and transfers the foundation load to solid bearing strata.

Use Of Helical Piers

Screw piles and helical piers have been used on a wide variety of projects in Wisconsin, the United States and throughout the world. Uses for screw piles include foundations for commercial and residential buildings, temporary structures, light standards, oil and gas industry structures, bank retention, retaining wall tie-backs and in the power utility industry. A screw pile can be used in almost any situation and where driven or cast in place piles are currently used.



Call **The Mudjacks** Today!
Get a **FREE ESTIMATE**

Check Us Out On-Line
WWW.MUDJACKERS.COM

Get a Quote on Helical Piers On-Line

www.Mudjacks.com

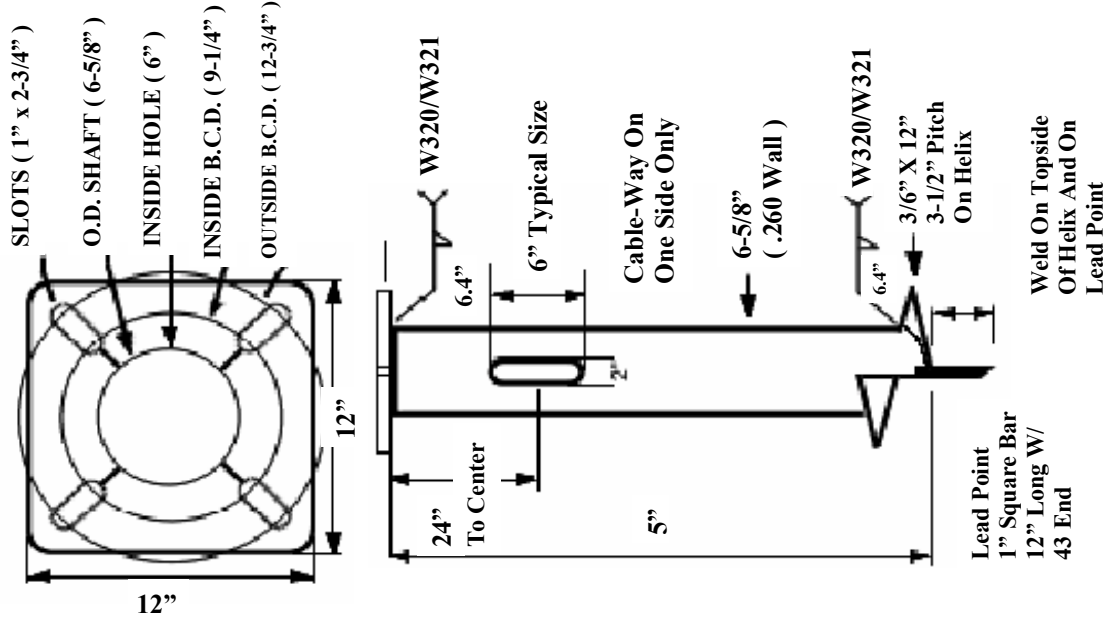


Power & Communication Towers

- ◆ Speed Project Completion
- ◆ Apply Loads Immediately
- ◆ Reduce Cost of Foundations
- ◆ Reach Inaccessible Locations
- ◆ Apply in Weak Soil Conditions



Light Duty Base Specification



General Notes:

- All Dimensions are in inches
- Only new material used in manufacture of base
- Shaft: steel pipe, seamless or straight welded to conform per latest ASTM A252, Grade 2 or 3
- Base plate, helix and pilot point structural quality steel to conform per latest CSA G40.21
- Welding performed by shop qualified to CSA W47.1
- All welding conforms to latest version of CSA W59
- Company stamp and date on cableway side of base plate
- Base is hot-dipped galvanized inside and out
- Hot-dipped to latest of CSA G164-n

The Mudjackers IIc

A full foundation repair company.

Civil & Commercial Lighting Foundations

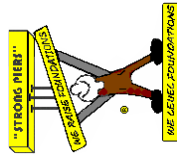
Power & Communication Utilities

Oil & Gas Pipelines



Visit us online at:

www.mudjackers.com



THE MUDJACKERS covers a wide spectrum of repairs for foundations, concrete slabs, forge presses, hydro dams, bridge cranes, highways, and sewer abandonment. As well as installation of pilings for new and old structures.

Our mission is this:

We at **THE MUDJACKERS** have a history of quality and excellence for over 38 years, You will find our services to be superior in quality and competitive in price.

THE MUDJACKERS maintains the most qualified foundation repair staff in the industry. Through continuing education programs such as engineering seminars, equipment and procedural updates, and constant experience in the field, we provide a skilled and professional workforce with strong work ethics. The combination of our dedicated management staff, experienced pier installers, and state of the art equipment has kept us on the cutting edge of advanced foundation repair.

We at **THE MUDJACKERS** believe that the people we employ as well as the people we serve make our company successful. Our good reputation with homeowners, architects, and engineers has been a key element to the continuing growth and stability of our company.



MADISON	608-251-3989
MILWAUKEE	262-784-1820
RACINE—KENOSHA	262-553-9797
JANESVILLE	608-754-9343
BELOIT	608-362-7717
FAX	262-784-9332
FAX	800-804-0260



MAIN OFFICE 800-262-7584

EST. 1939